

ASSEMBLY INSTRUCTIONS

ITEM # : SP5442T SAINT PETE BEXT TABLE

SIZE : W54" x L42" + 12" H36"

ASSEMBLY TIPS :

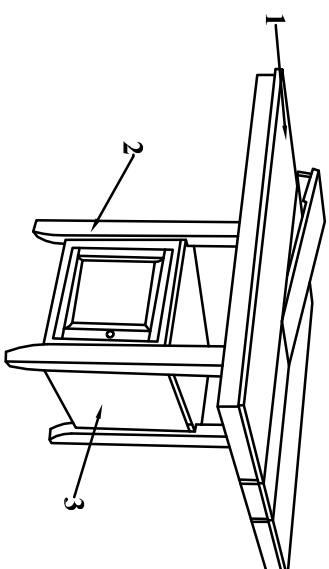
1. Remove hardware from box and sort by size.
 2. Please check to see that all hardware and parts are present prior to start of assembly.
 3. Please follow attached instructions in the same sequence as numbered to assure fast & easy assembly.
- Warning !**
 1. Don't attempt to repair or modify parts that are broken or defective. Please contact the store immediately.
 2. This product is for home use only and not intended for commercial establishment.

IMPORTANT NOTE :

- * Place all wooden parts on a clean and smooth such as a rug or carpet to avoid the parts from being scratched
- * Before you being, Kindly follow the assembly instructions step by step

HARDWARE LIST		
No	Description	Qty
A	Allen Key M4	1Pc
B	JCBC Screw M6 x 70mm	8Pcs
C	Spring Washer 1/4"	8Pcs
D	Flat Washer 1/4"	8Pcs
E	Hex Nut 5/16"	4Pcs
F	Spring Washer 5/16"	4Pcs
G	Flat Washer 5/16"	4Pcs
H	Wrench 12.8	1Pc

PART LIST		
No	Description	Qty
1	Table Top	1Pc
2	Table Leg	4Pcs
3	Storage Box	1Pc
4	Mounting Plate	2Pcs

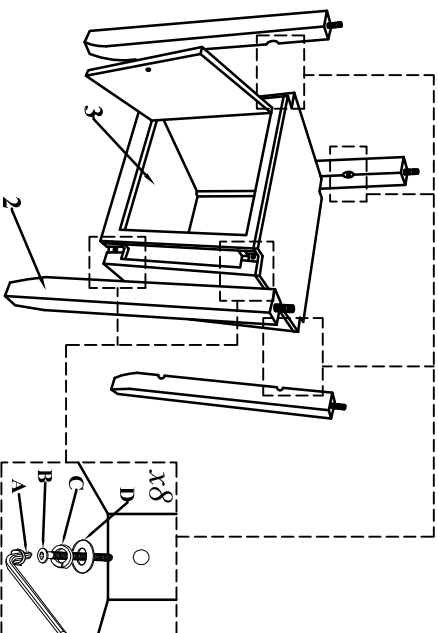


AMERICAN LIFESTYLES
FINE FURNITURE

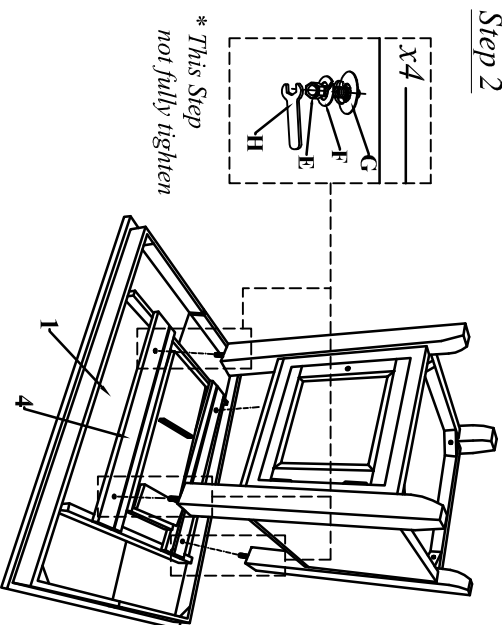
CARE & MAINTENANCE :

- * The touch of a soft cloth is all the maintenance your wood pieces will ever need.
- * Never use harsh chemicals or abrasive cleaner as they could marks or destroy finish.

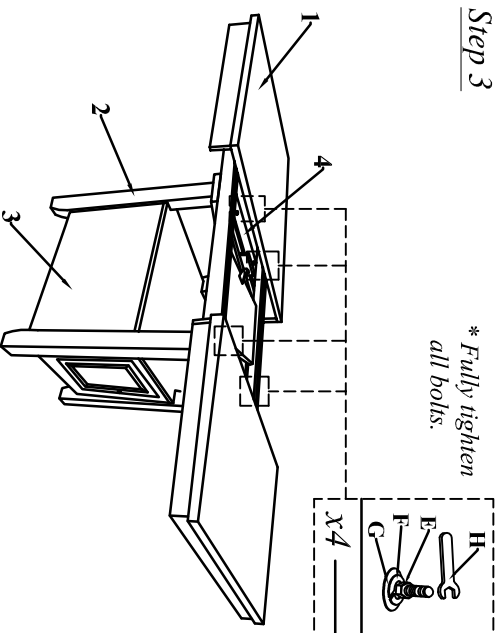
Step 1



Step 2

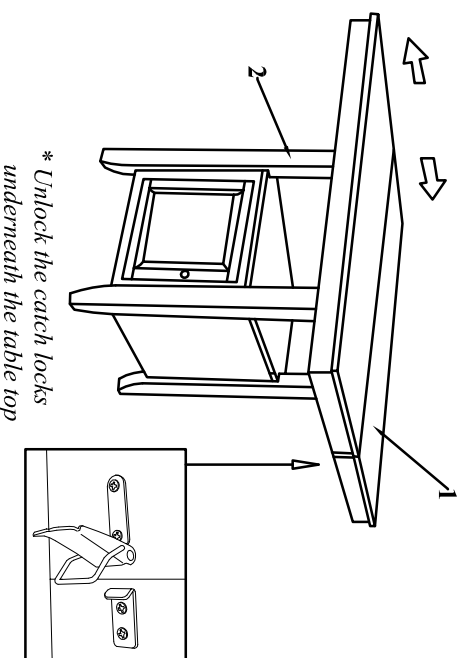


Step 3



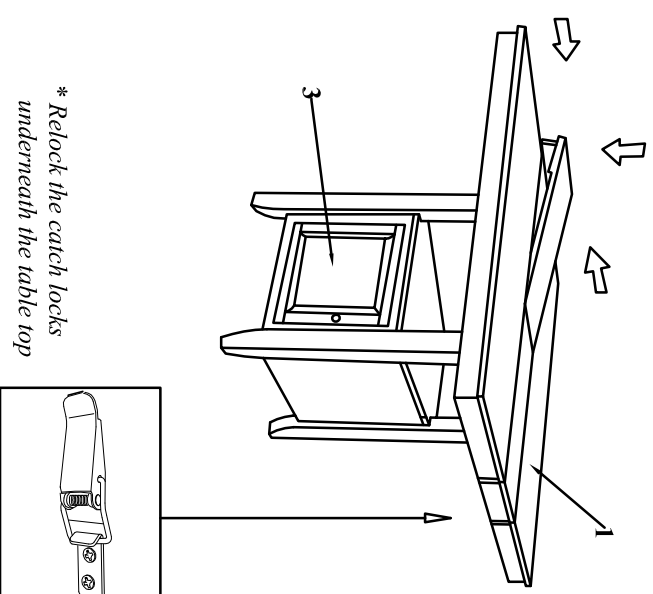
* Fully tighten all bolts.

Step 4



* Unlock the catch locks underneath the table top

Step 5



* Relock the catch locks underneath the table top